

CMCP793V Velocity Sensor, Top Exit 2 Pin MS 5015



Features:

- Top Exit Velocity Sensor
- 100mV/In/Sec ±10%
- Optional 500mV/In/Sec Version
- 2 Pin MS 5015 Connector
- Class 1 Division 2 Approved
- Class 1 Division 1 Approved with IS Barrier or Isolator
- -67 to +284°F (-55 to +140°C) Extended Temperature Range
- ¼"-28 UNF Mounting Stud Included (Adapters Available)
- Sealed to IP68



Typical Applications

Fans, Motors, Pumps, Compressors, Centrifuges, Conveyors, Air Handlers, Gearboxes, Rolls, Dryers, Presses, Cooling, HVAC, Spindles, Machine Tooling, Process Equipment and many more.

Technical Performance

Mounted Base Resonance:	22 kHz (nominal)
Sensitivity:	
CMCP793V:	100mV/In/Sec ±10% Nominal 80Hz at 22°C
CMCP793V-500:	500mV/Sec ±10% Nominal 80Hz at 22°C
Frequency Response:	3 Hz to 4.5 kHz ±10% (180 cpm to 270k cpm) 2 Hz to 6 kHz ±3dB (120 cpm to 260k cpm)
Isolation:	Base Isolated
Measurement Range:	
100mV/In/Sec Option:	40 In/Sec
500mV/In/Sec Option:	10 In/Sec
Transverse Sensitivity:	Less than 5%

Electrical

Electrical Noise:	0.1mg max
Current Range:	0.5mA to 8mA
Bias Voltage:	10-12 Vdc
Settling Time:	1 Second
Output Impedance:	200 Ohms max.
Case Isolation:	>10 ⁸ Ohms at 500 Volts

Environmental

Operating Temperature Range:	-67 to 284°F (-55 to 140°C)
Sealing:	IP68 / Hermetically Sealed
Maximum Shock:	5000 g
Approvals:	CE Approved CSA/UL Class 1 Division 2, Groups B, C and D

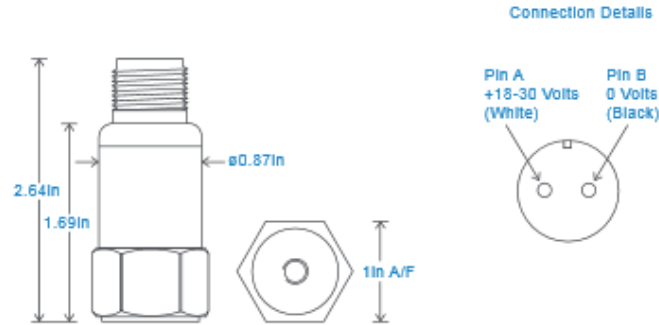
Mechanical

Case Material:	Stainless Steel
Sensing Element:	PZT/Compression
Mounting Torque:	5.9ft. lbs (8Nm)
Weight:	4.4 Oz (125 grams)
Mounting:	1/4"-28 UNF Mounting Stud (Supplied with Sensor) Adapters Available, See CMCP237 (Metric) and CMCP238 (Imperial) Series
Mating Connector:	2 Pin MIL 5015 MS Connector

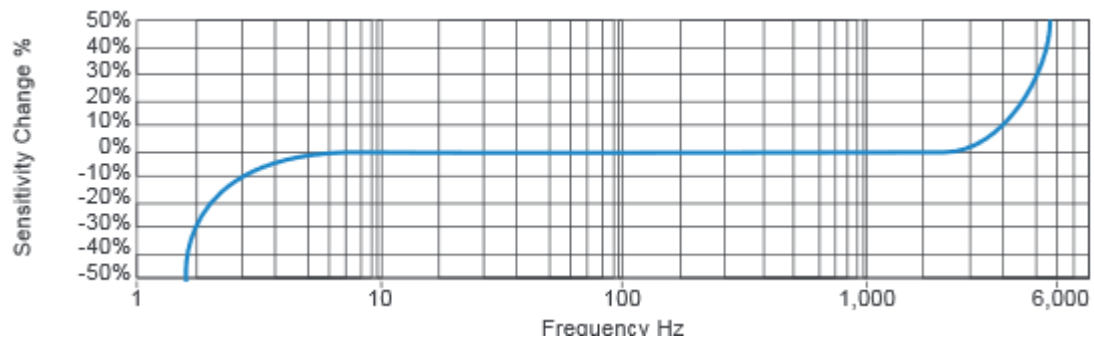
Hazardous Location Ratings

Class I, II, III, Division 1 and 2, Groups A-G, T4, -55°C to + 110°C IP65
Class 1, Zone 0, AEx, ia, IIC, T4, Ga, -55°C to + 110°C
Zone 20, AEx, ia, IIIC, T130°C, IP65, Da, -55°C to + 110°C
Class I, II, III, Division 1, 2, Groups A-G, T6, -55°C to + 110°C
Zone 20, AEx, ia, IIIX, T80°C, IP65, DA, -55°C to + 110°C

Dimensions



Typical Frequency Response



Ordering Information:

CMCP793V Velocity Sensor Top Exit, 100mV/g with 2 Pin MS 5015
CMCP793V-500 Velocity Sensor Top Exit, 500mV/g with 2 Pin MS 5015

Similar Products:



CMCP793V-I
Integral Armored Cable



CMCP793V-M12
M12 Eurofast Connector