



STI Vibration Monitoring Inc.

Vibration Monitoring and Machine Protection Systems

1010 East Main Street, League City, TX 77573 Phone:281.334.0766 Fax: 281.334.4255
www.stiweb.com / www.stiwebstore.com

Condition Monitoring Custom Products

CMCP787A

Precision Output Side Exit Accelerometer, 2 Pin MS 5015



Features:

- Precision Output Side Exit Accelerometer
- 100mV/g $\pm 5\%$ (Standard, Others Available)
- 2 Pin MS 5015 Connector
- Class 1 Division 2 Approved
- Class 1 Division 1 Approved with IS Barrier or Isolator
- -67 to +284°F (-55 to +140°C) Extended Temperature Range
- $\pm 80g$ Range
- 1/4"-28 UNF Captive Bolt
- Sealed to IP68

Typical Applications

Fans, Motors, Pumps, Compressors, Centrifuges, Conveyors, Air Handlers, Gearboxes, Rolls, Dryers, Presses, Cooling, HVAC, Spindles, Machine Tooling, Process Equipment and many more.

Technical Performance

Mounted Base Resonance: 27 kHz (nominal)
 Sensitivity: 100mV/g $\pm 5\%$ Nominal 80Hz at 22°C
 Frequency Response: 2 Hz to 10 kHz $\pm 5\%$ (120 cpm to 600k cpm)
 1.5 Hz to 12 kHz $\pm 10\%$ (90 cpm to 720k cpm)
 0.8 Hz to 15 kHz $\pm 3dB$ (48 cpm to 900k cpm)

Isolation: Base Isolated
 Measurement Range: $\pm 80 g$
 Transverse Sensitivity: Less than 5%

Electrical

Electrical Noise: 0.1mg max
 Current Range: 0.5mA to 8mA
 Bias Voltage: 10-12 Vdc
 Settling Time: 1 Second
 Output Impedance: 200 Ohms max.
 Case Isolation: $>10^8$ Ohms at 500 Volts

Environmental

Operating Temperature Range: -67 to 284°F (-55 to 140°C)
 Sealing: IP68 / Hermetically Sealed
 Maximum Shock: 5000 g
 Approvals: CE Approved
 CSA/UL Class 1 Division 2, Groups B, C and D

Mechanical

Case Material: Stainless Steel
 Sensing Element: PZT/Compression
 Mounting Torque: 5.9ft. lbs (8Nm)
 Weight: 6.5 Oz (185 grams)
 Mounting: 1/4"-28 UNF Captive Bolt (Supplied with Sensor)
 Mating Connector: 2 Pin MIL 5015 MS Connector

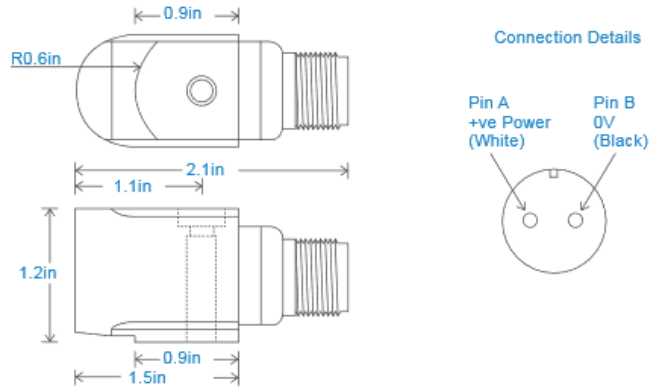
Hazardous Location Ratings

Class I, II, III, Division 1 and 2, Groups A-G, T4, -55°C to + 110°C IP65
Class 1, Zone 0, AEx, ia, IIC, T4, Ga, -55°C to + 110°C
Zone 20, AEx, ia, IIIC, T130°C, IP65, Da, -55°C to + 110°C
Class I, II, III, Division 1, 2, Groups A-G, T6, -55°C to + 110°C
Zone 20, AEx, ia, IIIX, T80°C, IP65, DA, -55°C to + 110°C

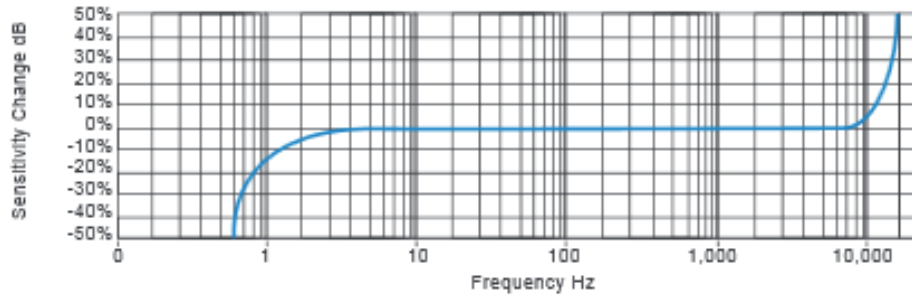
Optional Modifications

Non-Stocked Sensitivities: 50mV/g (-050), 250mV/g (-250) and 500mV/g (-500)
Sensitivity specified after base part number (ex. CMCP787A-500)

Dimensions



Typical Frequency Response (at 100mV/g)



Ordering Information:

CMCP787A Precision Output Accelerometer, Side Exit, 100mV/g with 2 Pin MS 5015

Alternative Sensitivity Ordering Information:

CMCP787A-XXX Specify Sensitivity in Place of -XXX
50mV/g (-050), 250mV/g (-250) and 500mV/g (-500)

Similar Products:



CMCP787A-I
Integral Armored Cable



CMCP787A-M12
M12 Eurofast Connector