



## CMCP422AT-M12 Series

### Loop Powered 4-20mA Acceleration Sensor, Top Exit M12 Connector



#### Features:

- Loop Powered 4-20mA Output
- Acceleration RMS or Peak
- 4 Pin M12 Eurofast Connector
- Interfaces Directly to PLC/DCS System
- Two Different Ranges Available
- Class I Division II Approved Standalone
- Class I Division I Approved with Barrier or Isolator
- 10 to 5kHz ISO Filtering (600 CPM to 300k CPM)
- -13 to 194°F (-25 to 90°C) Temperature Range
- Sealed to IP68

#### Typical Applications

Fans, Motors, Pumps, Compressors, Centrifuges, Conveyors, Air Handlers, Gearboxes, Rolls, Dryers, Presses, Cooling, HVAC, Spindles, Machine Tooling, Process Equipment and many more.

#### Technical Performance

Mounted Base Resonance: 10 kHz Min.  
 Ranges: -05 Model: 0-5 g's RMS or Peak  
 -10 Model: 0-10 g's RMS or Peak

Frequency Response: 10 Hz to 5 kHz ± 5%  
 600 CPM to 300k CPM  
 ISO 10816

Isolation: Base Isolated with Faraday Cage  
 Transverse Sensitivity: Less than 5%

#### Electrical

Output Current: 4-20mA DC Proportional to RMS or Peak Acceleration  
 Supply Voltage: 15 to 30 VDC  
 Settling Time: 2 Seconds  
 Output Impedance: Loop Resistance 600 Ohms Max @ 24VDC  
 Case Isolation: >10<sup>8</sup> Ohms at 500 Volts

#### Environmental

Operating Temperature Range: -13 to 194°F (25 to 90°C)  
 Sealing: IP68  
 Maximum Shock: 5000 g

#### Mechanical

Case Material: Stainless Steel  
 Sensing Element: PZT/Compression Type  
 Mounting Torque: 5.9 ft. lbs (8Nm)  
 Weight: 5.2 Oz (150g)  
 Mounting: 1/4"-28 UNF Mounting Stud (Supplied with Sensor)  
 Adapters Available, See CMCP237 (Metric) and CMCP238 (Imperial) Series

Mating Connector: 4 Pin M12 Cordset

### Electrical Ratings:

$U_i=28V$ ;  $I_i = 115mA$ ;  $P_i = 0.65W$

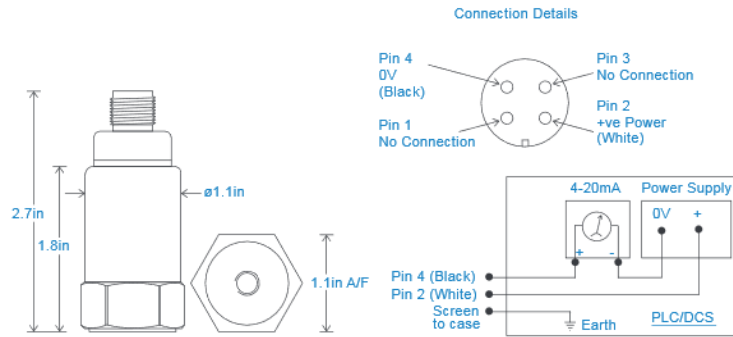
### Hazardous Location Ratings:

Class I, II, III, Division 1, 2, Groups A-G, T6 -40°C to +60°C, IP65

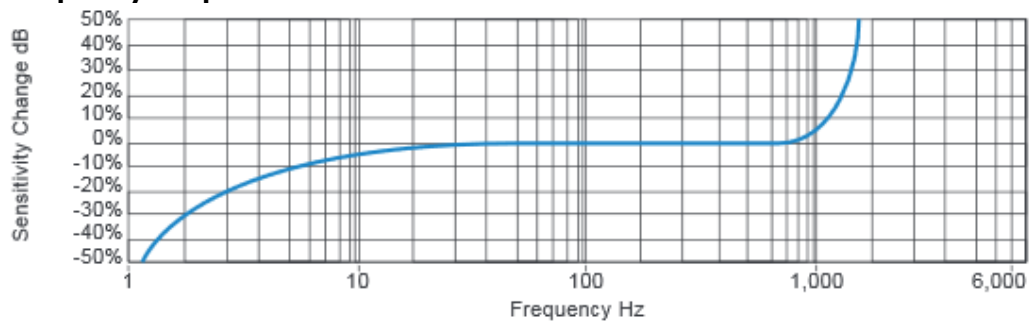
Class 1, Zone 0, AEx, ia, IIC, T6, Ga, -40°C to +60°C

Zone 20, AEx, ia IIIC, T80°C, IP65, Da, -40°C to +60°C

### Dimensions



### Typical Frequency Response



### Ordering Information:

CMCP422AT	-XX	-X	-XXX	Description
	-05			5 g's Full Scale
	-10			10 g's Full Scale
		-R		RMS Detection
		-P		Peak Detection
			-C	2 Pin MS 5015 Connector
			<b>-M12</b>	<b>M12 Eurofast Connector</b>
			-I	Integral Braided Armor Cable (5 meters)

### Similar Products:



**CMCP422AT-XX-X-I**  
Integral Armored Cable



**CMCP422AT-XX-X-C**  
2 Pin MS 5015 Connector